

Filter **V SERIES** **S SERIES**

WIDEST CHOICES FOR DIFFERENT POOL SIZES
For residential and semi-commercial pools



Bobbin-wound
Reinforced
Fiberglass Tank

Max Operating Pressure

36psi (2.5bar)

Max Temperature

43°C (109°F)

Suggested Size of Media

sand 0.5-0.8mm

Pool & Spa Equipment

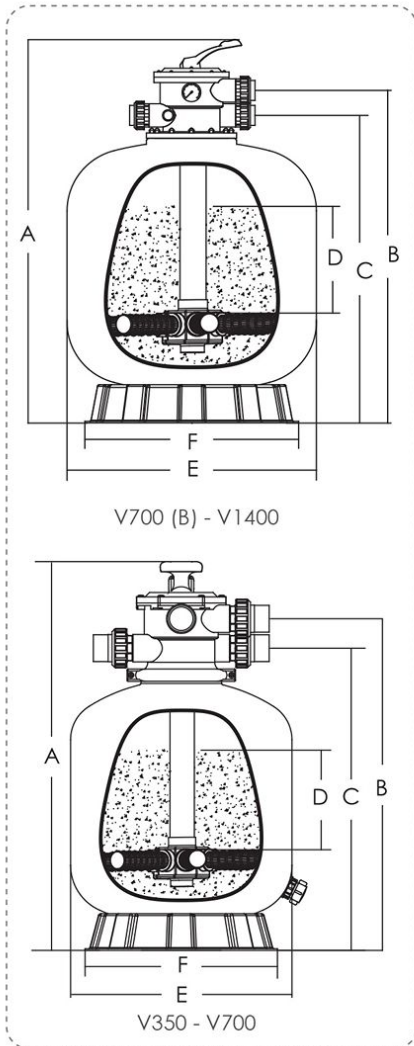
 **Emaux**
water technology

www.havayesh.com

V and S Series Filters are manufactured by automatic bobbin winding technology from long-lasting and non-corrosive fiberglass and resin. The UV resistant composites allow the filter to resist extreme weather conditions for a long working life without corrosion.

Technical Information:

Code (2.5 Bar)	Code (4 Bar)	Model	Filter Area (m ²)	Valve Connections	Max Flow Rate	Sand (kg)	
88010101	/	V350	0.09	1.5" / 50mm	72lpm	4.32m ³ /h	20
88010102	/	V400	0.13	1.5" / 50mm	108lpm	6.48m ³ /h	35
88010103	/	V450	0.16	1.5" / 50mm	135lpm	8.10m ³ /h	45
88010104	/	V500	0.22	1.5" / 50mm	185lpm	11.10m ³ /h	85
88010105	/	V650	0.32	1.5" / 50mm	260lpm	15.60m ³ /h	145
88010106	/	V650(PB)	0.32	2.0" / 63mm	267lpm	16.00m ³ /h	145
88010606	/	V650(B)	0.32	2.0" / 63mm	267lpm	16.00m ³ /h	145
88010107	/	V700	0.40	1.5" / 50mm	325lpm	19.50m ³ /h	210
88010608	/	V700(B)	0.41	2.0" / 63mm	336lpm	20.16m ³ /h	215
88010609	/	V800	0.50	2.0" / 63mm	415lpm	24.90m ³ /h	355
88010610	88015610	V900	0.64	2.0" / 63mm	520lpm	31.20m ³ /h	470
88010650	88015650	V900(C)	0.64	2.5" / 75mm	533lpm	32.00m ³ /h	470
88010611	88015611	V1000	0.79	2.0" / 63mm	650lpm	39.00m ³ /h	620
88010651	88015651	V1000(C)	0.79	2.5" / 75mm	658lpm	39.50m ³ /h	620
88010613	88015613	V1200	1.13	2.0" / 63mm	860lpm	51.60m ³ /h	860
88010652	88015652	V1200(C)	1.13	2.5" / 75mm	941lpm	56.50m ³ /h	860
88010614	88015614	V1400	1.54	2.5" / 75mm	1155lpm	69.30m ³ /h	1400



V Series Filter is equipped with :

1. 6-way clamp/bolt style multiport valve (1.5"MPV01, 2"MPV02, 2.5"MPV12)
2. universal standard of union connection
3. pressure gauge
4. lateral system

Product Dimension:

Model No	A mm	B mm	C mm	D mm	E mm	F mm
V350	726	619	550	160	355	298
V400	757	640	590	175	410	390
V450	814	698	638	210	455	390
V500	845	730	670	235	535	500
V650, V650PB	950	835	775	300	635	500
V650(B)	957	815	731	300	635	500
V700	1020	905	845	330	710	500
V700(B)	1092	960	877	390	723	500
V800	1200	1085	1002	425	800	780
V900	1300	1172	1090	480	900	780
V900(C)	1334	1242	1145	480	900	780
V1000	1400	1340	1260	580	1000	780
V1000(C)	1434	1410	1160	580	1000	780
V1200	1600	1550	1468	740	1200	1000
V1200(C)	1634	1620	1368	740	1200	1000
V1400	1845	1683	1586	750	1400	1000

Suggested sand weight varies with the differences in filter media size. For reference only.





Model: S900

Model: S700(B)

Model: S450

S Series Filter is equipped with :

1. 6-way multiport valve (1.5"MPV03, 2"MPV04, 2.5"MPV13)
2. universal standard of union connection
3. piping kit
4. pressure gauge
5. lateral system

Technical Information:

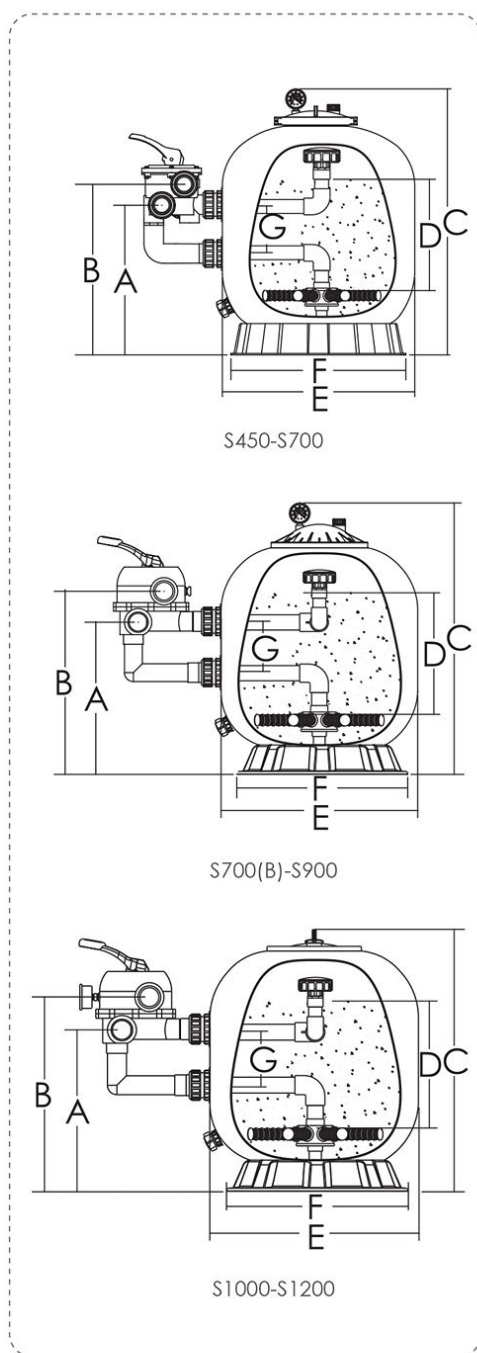
Code (2.5 Bar)	Code (4 Bar)	Model	Filter Area (m ²)	Valve Connections	Max Flow Rate	Sand (kg)
88010703	/	S450	0.16	1.5" / 50mm	135lpm 8.1m ³ /h	45
88010704	/	S500	0.22	1.5" / 50mm	185lpm 11.10m ³ /h	85
88010705	/	S650	0.32	1.5" / 50mm	260lpm 15.60m ³ /h	145
88010707	/	S700	0.40	1.5" / 50mm	325lpm 19.50m ³ /h	210
88011208	/	S700(B)	0.41	2.0" / 63mm	336lpm 20.16m ³ /h	215
88011209	/	S800	0.53	2.0" / 63mm	435lpm 24.10m ³ /h	355
88011210	9011105	S900	0.66	2.0" / 63mm	495lpm 29.70m ³ /h	470
88011250	9011108	S900(C)	0.66	2.5" / 75mm	550lpm 33.00m ³ /h	470
88011311	9011307	S1000	0.82	2.0" / 63mm	670lpm 40.20m ³ /h	620
88011351	9011308	S1000(C)	0.82	2.5" / 75mm	683lpm 41.00m ³ /h	620
88011313	9011309	S1200	1.13	2.0" / 63mm	880lpm 52.80m ³ /h	860
88011352	9011310	S1200(C)	1.13	2.5" / 75mm	975lpm 58.50m ³ /h	860

Product Dimensions:

Model No	A mm	B mm	C mm	D mm	E mm	F mm	G mm
S450	360	420	730	210	455	390	125
S500	390	450	770	235	535	500	125
S650	430	490	850	300	635	500	125
S700	450	510	960	330	710	500	125
S700(B)	520	606	890	390	723	500	220
S800	560	646	1050	425	820	780	220
S900	610	696	1180	480	920	780	220
S900(C)	673	744	1180	380	920	780	236
S1000	700	770	1220	580	1020	780	220
S1000(C)	773	844	1220	480	1020	780	236
S1200	820	1005	1410	740	1200	1000	220
S1200(C)	836	1079	1410	640	1200	1000	236

Bobbin-Wound Filter

is manufactured by computerized fiberglass filament winding technology. This provides the mechanical strength of the filter tank and its ability to withstand pressure.



Suggested sand weight varies with the differences in filter media size. For reference only.